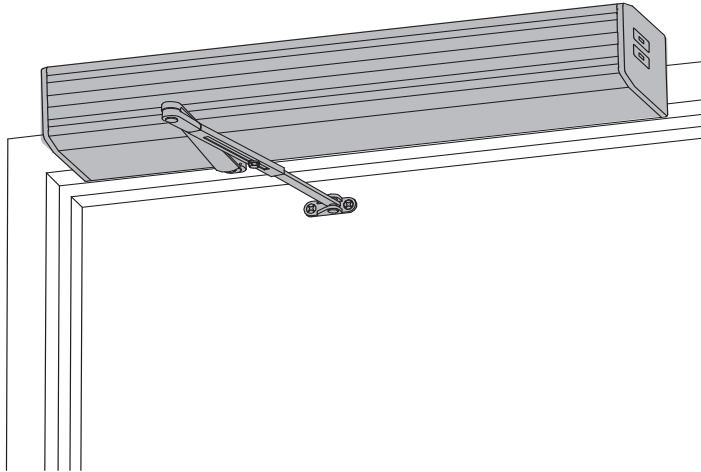


## TOP JAMB (PUSH SIDE) MOUNTING



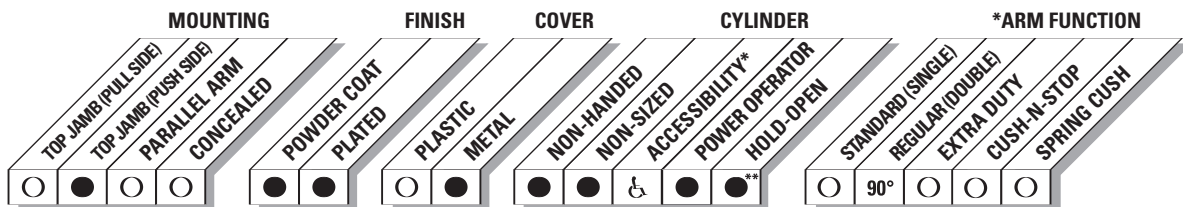
4640 shown

The 4640 AUTO EQUALIZER™ is LCN's SMART & RELIABLE electrically powered low-energy power operator. It provides easy access for people with disabilities, the elderly, or the frail. Designed primarily for manual opening applications that occasionally require automatic opening.

- ▶ Standard, top jamb (push side) mounted 4640 series closer shipped with regular arm, metal cover, and wood and machine screw pack. Actuators available separately, see pages 199-215.
- ▶ Meets ADA, requirements (power mode).
- ▶ Non-sized cylinders for interior doors to 4'6" and exterior doors to 3'6".
- ▶ Non-handed for either right or left swinging door.
- ▶ 4640 has easily accessible switches to provide on/off and continuous hold open functions. 4640CS provides concealed on/off power switch. Control module provides all timing and sequential door functions, electric strike controls and adjustments for opening speed and force.
- ▶ Standard or optional custom powder coated finish, end caps are black.
- ▶ Optional plated finish on cover, arm, and fasteners.

- ▶ **NEW Digital Control Suite**
- ▶ **Utilizes a 10,000,000 Cycle Heavy Duty Door Closer**
- ▶ **On-Board Diagnostics**
- ▶ **On-Board Power Supply**
- ▶ **Factory-Default Memory**
- ▶ **Plug-and-Play Connections**
- ▶ **No Destruct Feature**
- ▶ **No Guard Rails or Safety Mats Required**

The 4640 Series is UL and cUL listed with regular arm for self-closing doors and meets the provisions of ANSI Standards A117.1, A156.19, and the Americans with Disabilities Act.



- AVAILABLE
- NOT AVAILABLE
- ♿ Meets ADA requirements (power mode).
- \* See individual series for maximum manual opening.
- \*\* Switch provided for continuous Hold-Open (4640 only).

# LCN 4640 SERIES

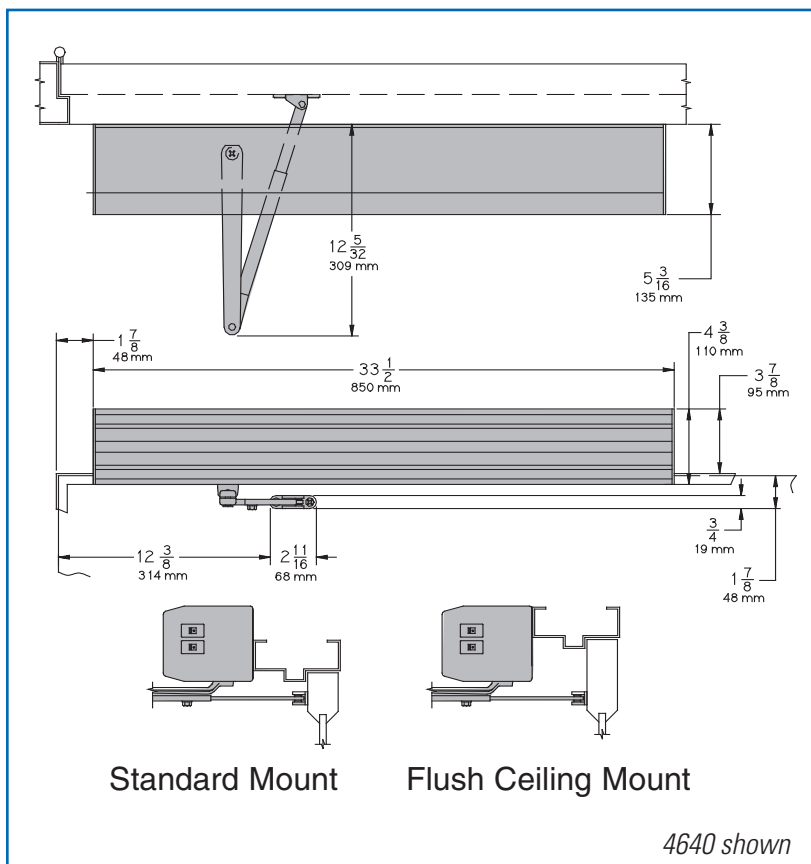
## MOUNTING DETAILS

### TOP JAMB (PUSH SIDE) MOUNTING

#### MAXIMUM OPENING

Templating allows 90° power opening and 100° manual opening.

**Consult factory for all pivot mounted installations.**



- ▶ **Butt Hinges** should not exceed 5" (127 mm) in width.
- ▶ **Auxiliary Stop is recommended.**
- ▶ **Reveal** of 4 1/2" (114 mm) allows up to 90° power opening and 100° manual opening. 8" (203 mm) allows up to 90° power opening and 100° manual opening with LONG ARM where standard rod and shoe is replaced with optional LONG ROD AND SHOE, 4640-79LR.
- ▶ **Head Frame** minimum 1 3/4" (44 mm). The standard mounting plate is also used to meet flush ceiling conditions.
- ▶ **Top Rail** minimum 1 3/4" (44 mm).  
Flush ceiling installation requires 3 3/4" (95 mm) minimum.
- ▶ **Opening Time and Force** are variable by adjustments to the electronic control module located on the operator assembly. Maximum hold open time adjustable up to approximately five minutes.
- ▶ **System Diagram** See "AUTOMATIC OPERATORS" section page 37 for typical system wiring and pages 38-39 for electrical data.

#### Options

- ▶ Long arm.

#### Special Templates

Customized installation templates or products may be available to solve unusual applications. Contact LCN for assistance.

## CYLINDERS

### CYLINDER ONLY, 4642-3971

Standard, non-handed, cast iron cylinder.

### CYLINDER ASSEMBLY, 4642-3071

Standard, non-handed, cast iron cylinder and mounting plate. Includes; 4640-3454 Motor Clutch, 4640-3180 I/O Board Assembly and 4640-3462 Controller.

### CYLINDER ASSEMBLY, 4642-3071CS

Standard, non-handed, cast iron cylinder and mounting plate. Includes; 4640-3454 Motor Clutch, 4640-3180 I/O Board Assembly and 4640-3462 Controller. Same as a 4640-3071 assembly except on/off switch is concealed in endcap and no hold open switch is included. (separate key switches suggested)

## COVERS

### COVER, 4640-72MC

Standard, non-handed metal cover.

## ARMS

### REGULAR ARM, 4640-3077

Non-handed arm.

### LONG ARM, 4640-3077L

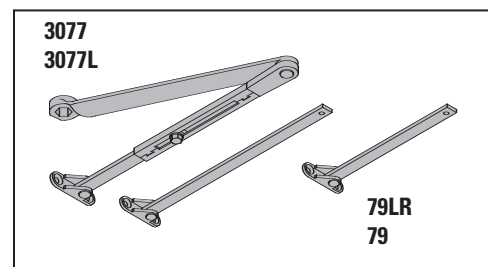
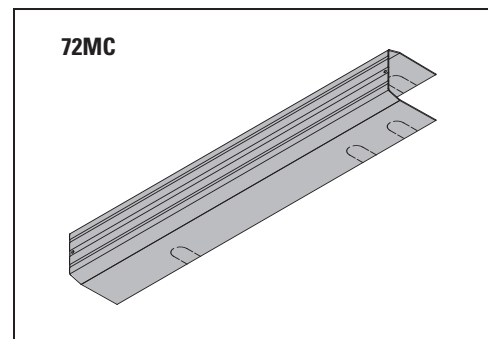
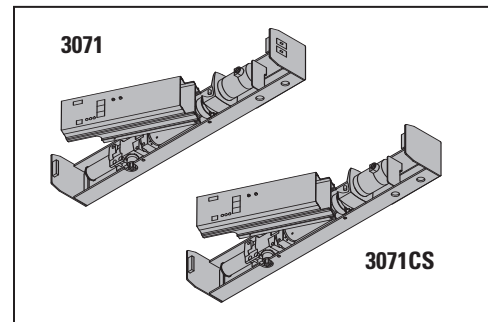
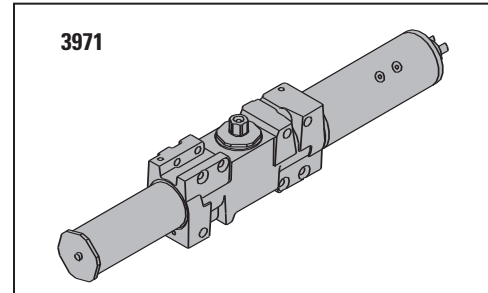
Arm includes LONG ROD AND SHOE, 4640-79LR for deep reveals.

### ROD & SHOE, 9140-79

Rod for use with regular arm.

### LONG ROD & SHOE, 9140-79LR

Long rod for use with long arm.

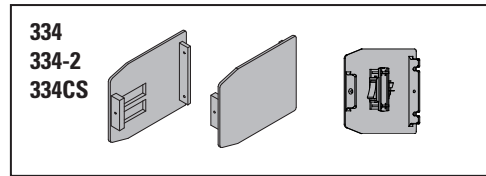


# LCN 4640 SERIES

## INSTALLATION ACCESSORIES

### SWITCH END CAP, 4640-334

End cap (black powder coat only) with cut outs for installing on/off and hold open switches.

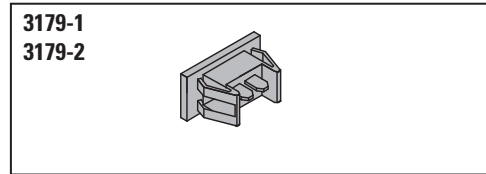


### BLANK END CAP, 4640-334-2

Black power coat only.

### SWITCH END CAP, 4640-334CS

End cap and switch (black powder coat only) for concealed switch option.

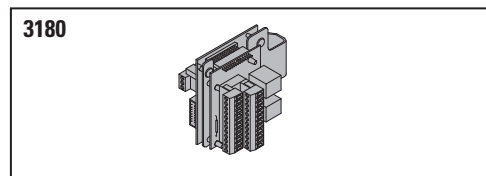


### ON/OFF SWITCH ASSEMBLY, 4640-3179-1

Red rocker switch. Plugs into high voltage PC board.

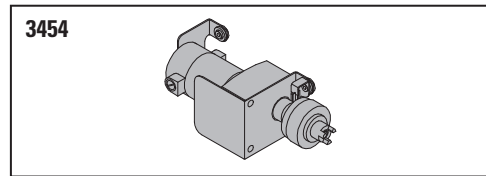
### HOLD-OPEN SWITCH ASSEMBLY, 4640-3179-2

Black rocker switch. Plug into low voltage PC board.



### PC BOARD ASSEMBLY, 4640-3180

High and low voltage PC boards connected to mounting bracket.

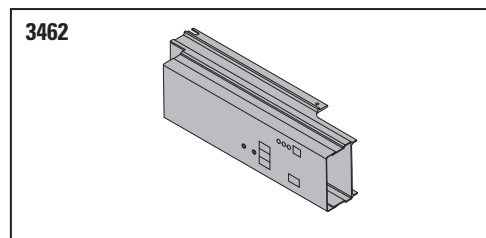


### MOTOR/CLUTCH ASSEMBLY, 4640-3454

A geared assembly in an LCN power operator that incorporates a "no destruct" feature.

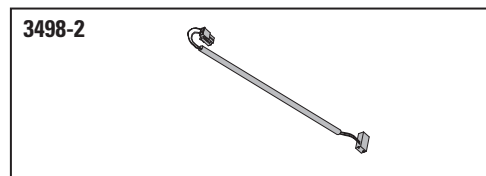
### CONTROL BOX ASSEMBLY, 4640-3462

Digital controller with built-in 12/24 VDC power supply. Programming and timing functions are adjusted on controller.



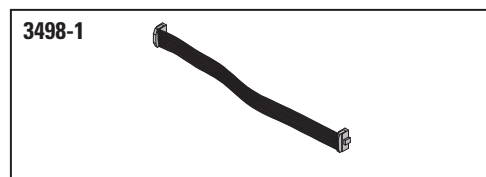
### AC POWER CABLE, 4640-3498-2

2 wire cable to connect 120 VAC from PC board assembly to controller.



### RIBBON CABLE CONNECTOR, 4640-3498-1

16 wire ribbon cable connecting 1-24 pin terminal connectors to controller.



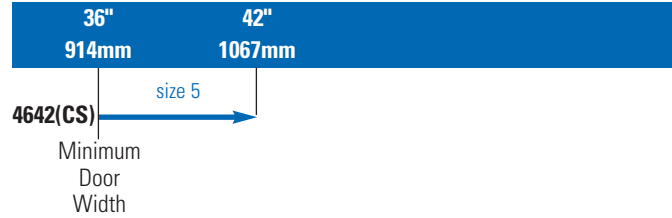
## TABLE OF SIZES

Non-sized 4640 series cylinder is adjustable from size 2 through size 5 and is shipped set to size 3. Closing power of 4640 Series closers may be increased 50%.

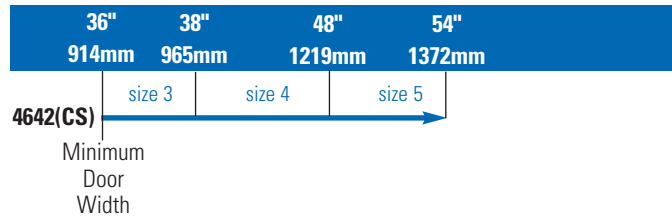
→ Indicates recommended range of door width for closer size.

NOTE: Minimum door width 36" (914 mm)

### EXTERIOR (and VESTIBULE) DOOR WIDTH



### INTERIOR DOOR WIDTH



## HOW-TO-ORDER 4640 SERIES CLOSERS

### 1. SPECIFY FINISH.

- Standard Powder Coat \_\_\_\_\_  
Aluminum, Dark Bronze, Tan, Statuary,  
Light Bronze, Black, Brass.

#### **Closer will be shipped with:**

- STANDARD CYLINDER,
- STANDARD METAL COVER,
- REGULAR ARM, and
- WOOD and MACHINE SCREW PACK,  
unless options listed below are selected.

## CLOSER OPTIONS

### CYLINDER ASSEMBLY

- 4640CS (concealed on/off switch)  
(separate key switches suggested)

### FINISH

- Custom Powder Coat (RAL) \_\_\_\_\_
- Plated Finish, US \_\_\_\_\_

### ARM

- Long (LONG)

### SCREW PACK

- TB\*, Wood & Machine Screw (TBWMS)
- TORX Machine Screw (TORX)
- TB\* & TORX Machine Screw (TBTRX)

\*Specify door thickness if other than 1 3/4".

### SPECIAL TEMPLATE

- ST- \_\_\_\_\_