

Padlocks, Deadlocks, Push-Pull

Push-Pull HL10 Series

This contemporary design requires only a light push or pull by fingertip, hand, forearm or elbow to operate. Developed to provide fast, smooth, safe door action in medical facilities, it may be used on any door requiring a push-pull function.



Features

Handing

Non-handed.

Door Thickness

1³/₄" (44mm) only.

Backset

5" (127mm).

Front

Wrought brass or bronze standard. 2¹/₄" (57mm) x 1¹/₈" (29mm). Accommodates doors beveled 1/8" (3mm) in 2" (51mm). Optional: flat front; see Quick Codes.

Latchbolt

Brass, chrome plated, 5/8" (16mm) throw with nylon insert. 5" Backset.

Strike

Wrought brass or bronze, curved lip box standard. 2³/₄" (70mm) x 1¹/₈" (29mm) x 1¹/₄" (32mm) lip to center.

Optional ANSI strike and ANSI wrought strike box available; see Strikes, page 12.

Certification/Compliance

UL

Listed for A label and lesser class single doors. Letter F and UL symbol on latch front indicate listing.

Finishes

BHMA 612	Satin Bronze (US10)
BHMA 625	Bright Chromium Plated (US26)
BHMA 626	Satin Chromium Plated (US26D)

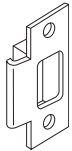
Functions

Push	Pull	Series/ Function	Function Description
		HL11	- Latchbolt by push or pull. - Exposed screws push side. - Standard pull lever.
		HL12	- Latchbolt by push or pull. - Exposed screws push side. - Large concave pull lever.
		HL13	- Latchbolt by push or pull. - Exposed screws pull side. - Standard pull lever.
		HL14	- Latchbolt by push or pull. - Exposed screws pull side. - Large concave pull lever.

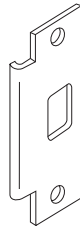
Padlocks, Deadlocks, Push-Pull

Push-Pull HL10 Series

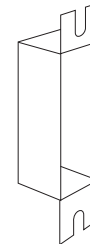
Strikes



Curved Lip Box
(Standard)
Brass or bronze,
2³/₄" (70mm) x 1¹/₈"
(29mm) x 1¹/₄"
(57mm) lip to center.
No optional lip
lengths.
To order separately,
specify 262F94 x
Finish.

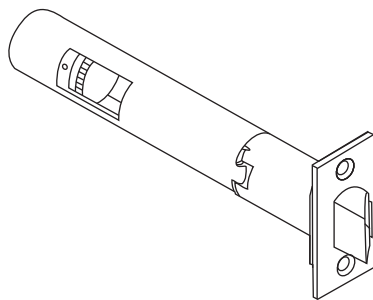


ANSI Curved Lip
Brass or bronze,
4⁷/₈" (124mm) x 1¹/₄"
(57mm) x 1¹/₄"
(57mm) lip to center.
No optional lip
lengths.
To order with Push-
Pull Latch, see Quick
Codes.
To order separately,
specify 217L13 x
Finish.



**ANSI Wrought
Strike Box**
To order with Push-
Pull Latch, see Quick
Codes.
To order separately,
specify 120F76.

Latchbolts



5" backset with square
corner faceplates. To
order separately: for
2¹/₄" (57mm) x 1¹/₈"
(29mm) beveled front,
specify 488F82 x Finish.
For 2¹/₄" (57mm) x 1¹/₈"
(29mm) flat front,
specify 488F83 x Finish.

Ordering Examples

Contract/Detailed Order

Quantity	Series/Function	Finish	Hand	Optional Strike	Misc. Options
12	HL12	626	RH	SA114	M38

Quick Codes

Miscellaneous Options

Description	Specify
Flat front	M12
ANSI curved lip strike	SA114
ANSI wrought strike box	M17
Engraved "PUSH"*	M36
Engraved "PULL"*	M37
Engraved "PUSH & PULL"*	M38
Lead washer	M39

* Specify hand of door.